

Ice-O-Matic®

GEM0956/0955 - Pearl Ice® Maker



GEM0956 on B55

Features

- Space saving 21" (533 mm) wide design.
- Produces up to 1,110 lbs (499 kg) of ice per day.
- Pearl Ice® soft, chewable ice crystals.
- Cools beverages faster and longer while maintaining flavors better.
- Decreased water and power usage compared to cube ice makers.
- Improved customer satisfaction.
- Rugged stainless steel evaporator and auger ensures reliability.
- Industrial-grade roller bearings and heavy duty gearbox provide years of trouble free service.

Options & Accessories

Water Filters			
Ice Machine Model	Manifold		Inline
	System	Replacement	System
GEM0956	IFQ1	IOMQ (1)	N/A
GEM0955	IFQ1	IOMQ (1)	N/A

Ice Maker Warranty

Every Ice-O-Matic ice maker is backed by a warranty that provides both parts and labor coverage.

Parts & Labor

- Three years **Parts & Labor** for all Pearl Ice® ice maker parts.
- Five years **Parts** coverage on the compressor.

Ice Form



Bin Chart

Kits for Combining Wider Bins with Smaller Models

		Ice Storage Bins								
		Model No. Capacity Width	B25 255 lbs (116 kg) 30 in (762 mm)	B40 365 lbs (165 kg) 30 in (762 mm)	B42 374 lbs (170 kg) 22 in (559 mm)	B55 556 lbs (252 kg) 30 in (762 mm)	B100 927 lbs (420 kg) 48 in (1219 mm)	B120 1193 lbs (541 kg) 48 in (1219 mm)	B150 1499 lbs (679 kg) 60 in (1524 mm)	B170 1866 lbs (846 kg) 60 in (1524 mm)
Kits	GEM0956	KBT19	KBT19	KBT24	KBT19	KBT23	KBT23	N/A	N/A	
	GEM0956 (2)	N/A	N/A	N/A	N/A	KBT22	KBT22	N/A	N/A	
	GEM0955	KBT19	KBT19	KBT24	KBT19	KBT23	KBT23	N/A	N/A	
	GEM0955 (2)	N/A	N/A	N/A	N/A	KBT22	KBT22	N/A	N/A	

*See Ice-O-Matic Price List for Adapter Kits to combine ice makers with most available ice/beverage dispensers.



GEM0956/0955 Pearl Ice® Maker

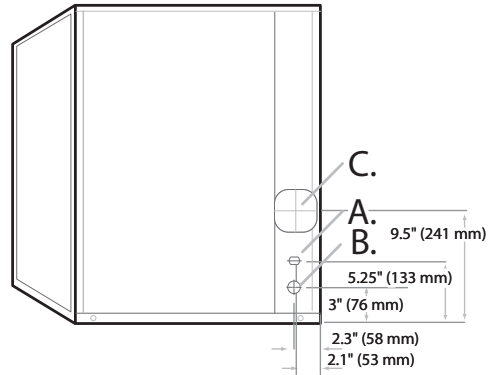
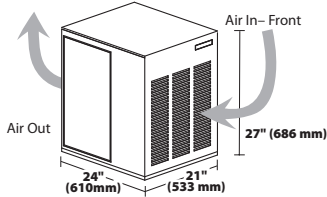
Ice-O-Matic®

GEM09556/09555 Pearl Ice® Maker

Air Cooled

Please note: air-cooled units require 6. (152 mm) clearance for air intake and exhaust.

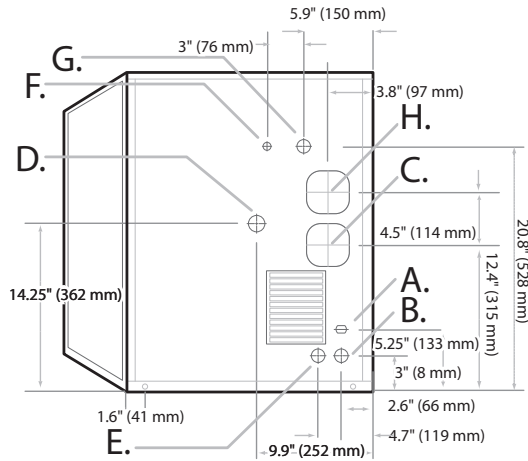
- A. Ice maker potable water in, 3/8" flare.
- B. Ice maker water out, 3/4" FPT.
- C. Electrical inlet.



Rear View Air Cooled

Water Cooled/Remote

- A. Ice maker water in, 3/8" flare.
- B. Ice maker water out, 3/4" FPT.
- C. Electrical inlet.
- D. Condenser water in, 3/8" (water cooled only).
- E. Condenser water out, 1/2" (water cooled only).
- F. Liquid line, 3/8" male coupling for precharged line set (remote only).
- G. Discharge line, 1/2" male coupling for precharged line set (remote only).
- H. Remote condenser junction box (remote only).



Rear View Water Cooled & Remote

Operating Requirements

	Minimum	Maximum
Ambient Temp. Range Air	50°F (10°C)	100°F (38°C)
Water Temp.	40°F (4.4°C)	100°F (38°C)
Water Pressure	20 PSIG (1.4 BAR)	120 PSIG (8.3 BAR)
Remote Cond. Temps	-20°F (-29°C)	120°F (50°C)

Dimensions

All Models	
W x D x H (inches)	21 x 24 x 27
W x D x H (mm)	533 x 610 x 686

Specifications

Model Number	Cond. Unit	Ice Production per 24hrs		Water Usage gallons per 100 lbs of Ice 90°F air/70°F water		kWH Used per 100 lbs of ice @ 90°F air/70°F water	Voltage Characteristics	Min. Circuit Ampacity	Fuse Size	Approx. BTUs per hour
		70°F air/50°F water lbs (kg)	90°F air/70°F water lbs (kg)	Potable	Condenser					
GEM0956A	Air	1,080 (490)	780 (354)	12.0	-	3.94	208-230/60/1	11.3	15	5,600
GEM0956W	Water	1,110 (499)	925 (420)	12.0	80.0	2.96	208-230/60/1	10.8	15	5,600
GEM0956R	Remote*	920 (417)	830 (376)	12.0	-	4.11	208-230/60/1	14.1	20	5,600
GEM0955A	Air	1,080 (490)	780 (354)	12.0	-	3.94	230/50/1	13.4	20	4,400
GEM0955W	Water	1,100 (499)	915 (415)	12.0	80.0	2.96	230/50/1	13.1	15	4,400

*Requires Remote GRC1061 Condenser

NOTES:

Number of Wires: 3 (including ground)
 Approx. Shipping Weight lbs (kg): GEM0955A 220 (110) • GEM0955W 220 (100) • GEM0956A 290 (132) • GEM0956W 290 (132) • GEM0956R 290 (132)
 Refrigerant Type: R404A

11100 E. 45th Avenue
Denver, CO 80239

Phone: 1. 866. PURE. ICE
 Fax: 303. 371.6296
 www.iceomatic.com

Rev: A-01/09
 Part: 7002